



MECHANICAL SEAL WITH RECOVERY PORT

Product Recovery Feature

The ERL Mechanical Seal is the only single cartridge seal with a Recovery Feature which returns product to the pump can/well in the event of sealing face failure. This avoids being pushed off the dock during discharge and allowing for maintenance of the seal to be scheduled on your time.

ERL Pump Size	ERL UC1875 Shaft Ø 1 7/16"	ERL UC2250 Shaft Ø 1 15/16"
10LS	✓	
11LS		✓
12LS		✓
13LS		✓

Shaft Saver Exclusively From ERL

All ERL Mechanical Seals come standard with Shaft Saver technology which eliminates shaft damage from set screws. The set screws contact a hardened stainless steel ring that locks the sleeve onto the shaft.

Quality

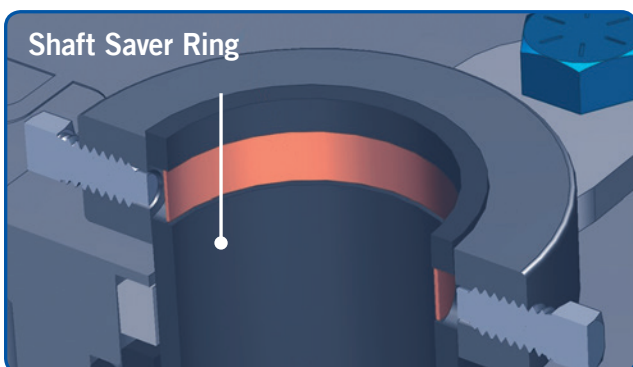
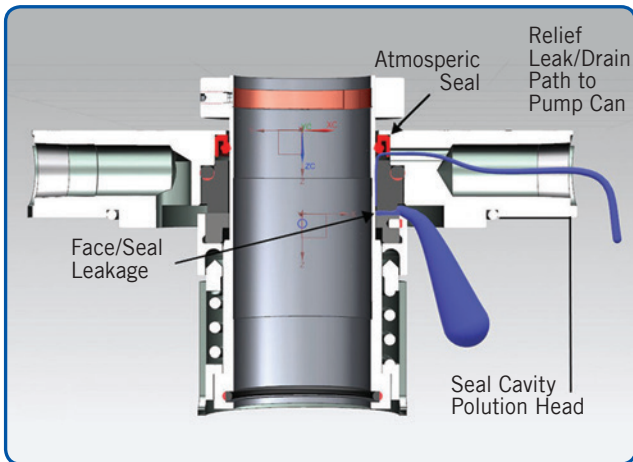
- Every Mechanical Seal is 100% pressure tested and a test report accompanies every seal we ship.
- All machined components are 316 Stainless Steel
- Sealing Faces: Silicon Carbide
- O-rings: Elastomer - FEP/Teflon

Kinetic Friction Reduction (KFR)

Exclusively from ERL, Kinetic Friction Reduction (KFR) technology enhances the sealing faces to create an extremely hard, low wear surface with a low Coefficient of Friction not available elsewhere.

Original Equipment Manufacturer

The ERL seal was designed and carries a patent for the Recovery Feature. All machined components are manufactured at ERL on State-of-the-Art CNC equipment.



ERL COMMERCIAL MARINE, INC.

OUTER BEARING ASSEMBLY (OBA)



Tired of Replacing Mechanical Seals?

ERL's OBA gives support to the pump shaft directly above the mechanical seal. This greatly reduces the stress on the mechanical seal from vibration caused by the diesel engine and the pump. The result is a longer lasting mechanical seal and less maintenance.

100% Stainless Bearing Housing

ERL's OBA Housing is completely constructed of 300 series stainless steel for long life. CNC machined bearing bore has a tolerance of $\pm .0004$ " for exceptional fit.

Quality

Every OBA is load and temperature tested ensuring trouble-free operation. Each OBA is serialized and test results are retained by ERL.

Maintenance Free

ERL utilizes sealed bearings, eliminating the need for preventative maintenance.

Tired of Removing Mechanical Seals Past Burrs?

ERL utilizes "Shaft Saver" technology which prevents the set screw from damaging the shaft. This ensures the OBA and mechanical seal are easily replaced without sliding over a burr. Each set screw transfers pressure to the shaft through a stainless-steel hardened band. This eliminates direct shaft-set screw contact. Truly a first in the commercial marine industry.

Alignment Lip

ERL aligns the OBA with the mechanical seal through a male snap fit. This ensures the OBA gives the mechanical seal the support it needs for the longest life possible.

ERL Pump Size	OBAF-10 1 7/16" Shaft \varnothing	OBAF-11+ 1 15/16" Shaft \varnothing
10LS	✓	
11LS		✓
12LS		✓
13LS		✓



ERL COMMERCIAL MARINE, INC.

**FOR 24/7 SALES AND SERVICE, CALL
812-948-8484 OR 713-824-7074**