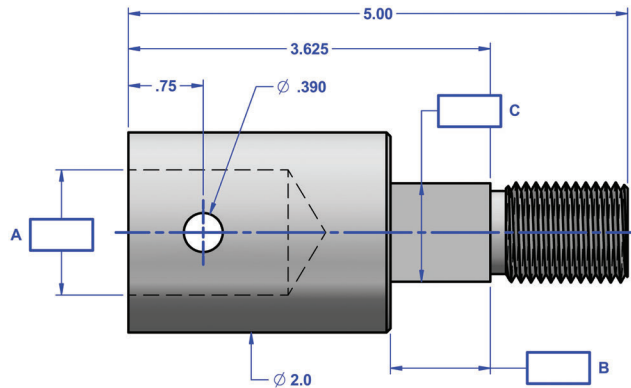
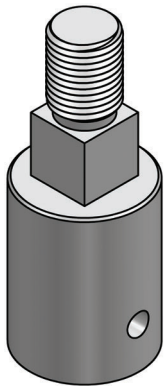
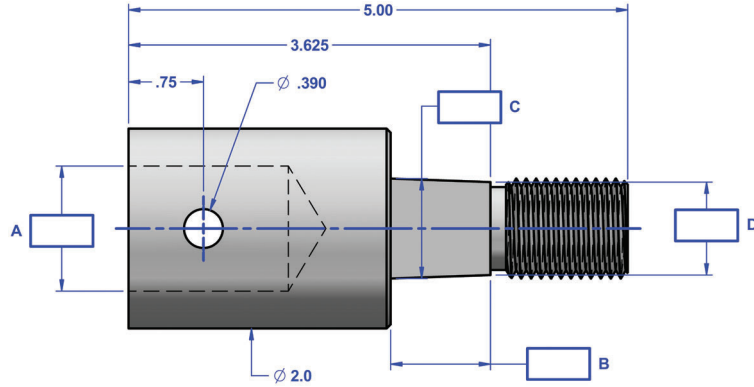
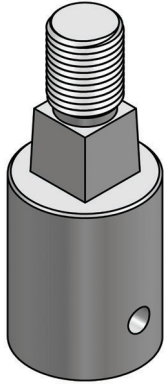


STEM ADAPTERS



ERL stainless steel Stem Adapters are easy to use and they save you money. Class III threads and CNC machining quality insure both good fit and the ability to easily remove the handwheel without heat or destructive force. Simply weld or bolt the Stem Adapter, which has been machined to perfectly fit your handwheel, to an un-machined stainless steel bar stock for a perfect economical reach rod everytime!

ORDERING INFORMATION TABLE (SQUARE)
Reach rod diameter: A
Machined flats lengths: B Required to fit your handwheel.
Square dimensions: C
Valve Size/Model: Other:

ORDERING INFORMATION TABLE (TAPERED)
Reach rod diameter: A
Machined flats lengths: B Required to fit your handwheel.
Taper dimensions: Big End: C
Taper dimension: Small End: D

Simply verify the dimensions on the above drawings and provide the dimension represented by the blanks above to expedite accurate completion of your order.