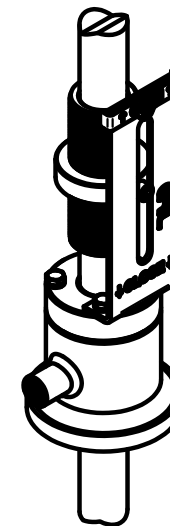
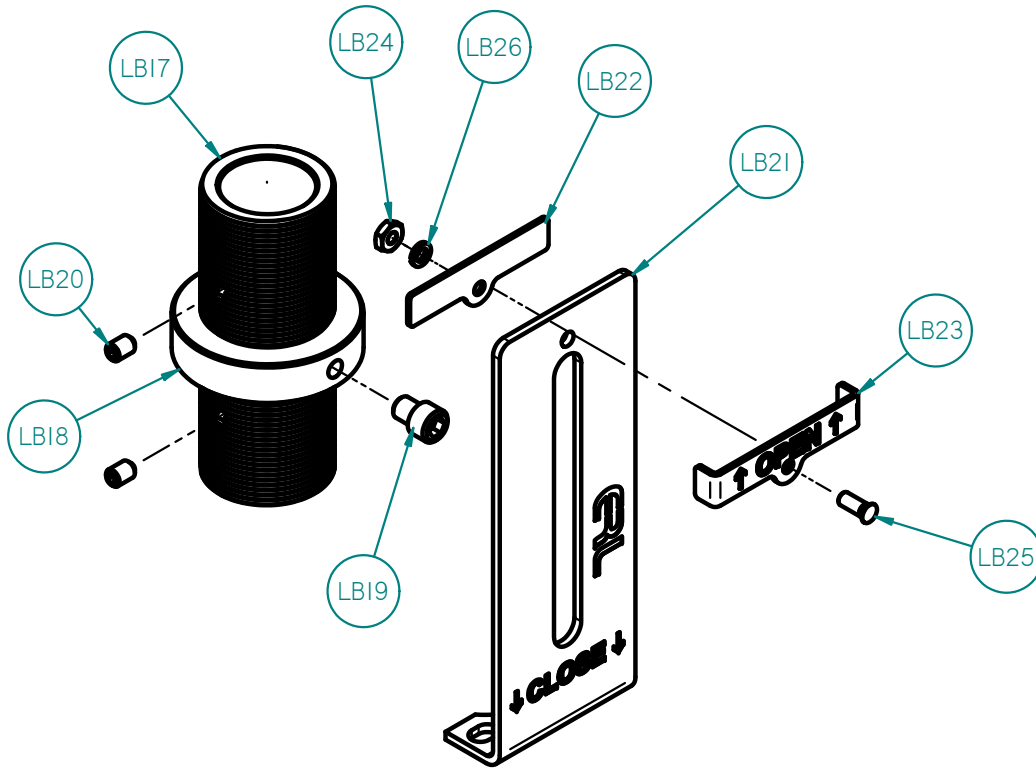


Parts List - Valve Indicator (1-1/4")

Item	Description	Part No.	Qty.
LB17	Threaded Bushing, 1-1/4"	014Y107B	1
LB18	Indicator Nut	014Y112B	1
LB19	SHCS, 5/16-18 x 3/8		1
LB20	Set Screw, 1/4-20 x 3/16		2
LB21	Indicator Plate	014Y145B	1
LB22	Tab Mount	158Y085B	1
LB23	Tab, "opening"	158Y083B	1
LB24	Hex Nut, 10-32		1
LB25	Press-In Captive Stud, 10-32		1
LB26	Lockwasher, #10		1



**ELECTROMECHANICAL
RESEARCH LABORATORIES, Inc.**
P.O. BOX 1026
NEW ALBANY, IN 47151

DATE	12/9/13	DRAWN	D. URBAN		PART NAME	Valve Indicator	
TOLERANCE 0.0 = +/- 0.030 0.00 = +/- 0.015 0.000 = +/- 0.005	APPROVED			UNIT NAME	Lip-Seal Box, 1-1/4"		
	SCALE	1/2	JOB NO.	313956	DRAWING NO.	014Y140B	ITEM NO.