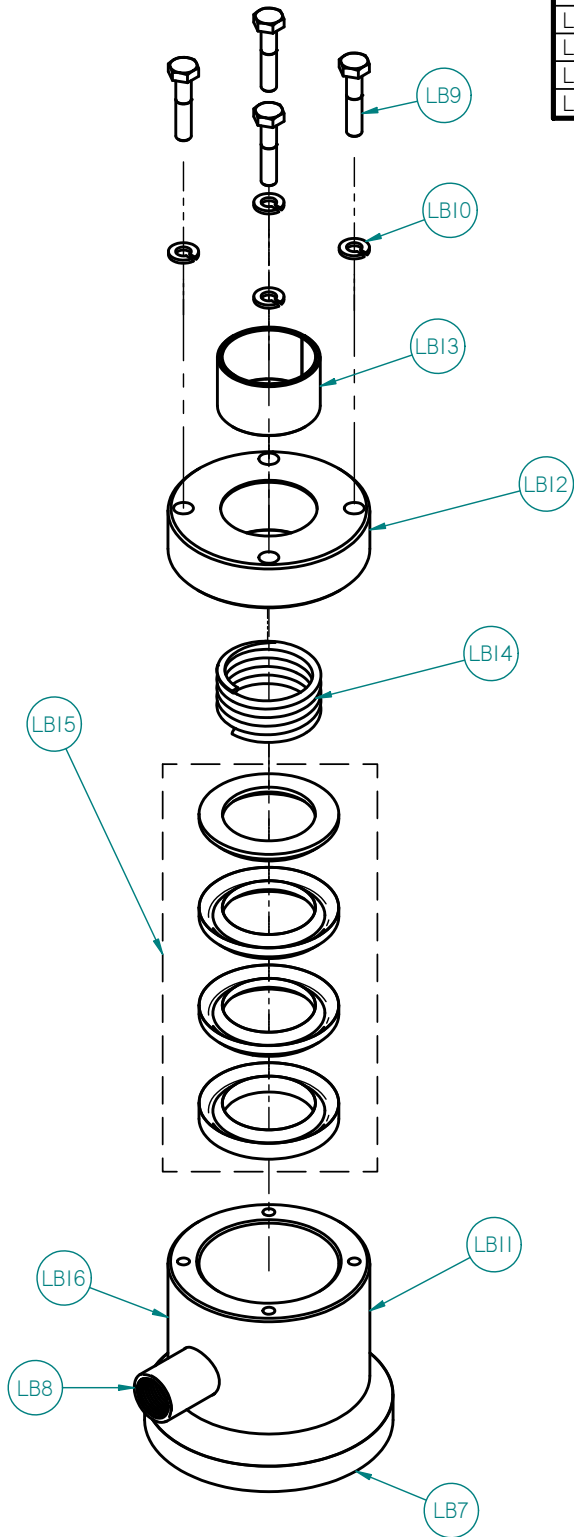
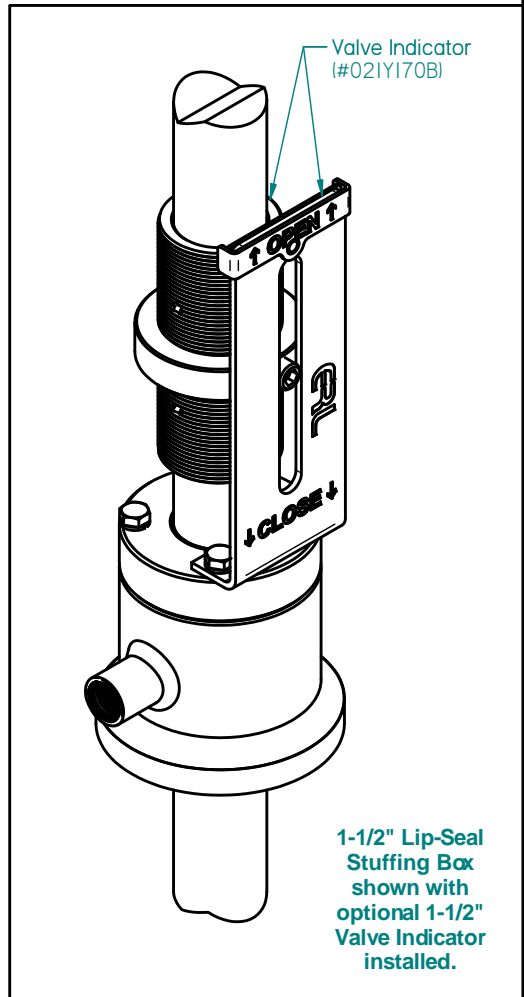


Parts List - Lip Seal Stuffing Box (1-1/2")			
Item	Description	Part No.	Qty.
LB7	Mounting Ring	014Y080B	1
LB8	Pipe Coupling	4464K213	1
LB9	Hex Head Bolt, 1/4-20 x 1-1/4, 316 SS		4
LB10	Lockwasher, 1/4", 304 SS		4
LB11	Lip Seal Box, weldment	021Y105B	1
LB12	Packing Retainer, 1-1/2"	021Y086B	1
LB13	Bearing	24KU16	1
LB14	Spring		1
LB15	V-Ring Set		1
LB16	Lip Seal Box Body, 1-1/2"	021Y089B	1



Lip-Seal Box 1-1/2"



**ELECTROMECHANICAL
RESEARCH LABORATORIES, Inc.**
P.O. BOX 1026
NEW ALBANY, IN 47151

DATE	5/12/14	DRAWN	D. URBAN	PART NAME	Parts List
<u>TOLERANCE</u> 0.0 = +/- 0.030 0.00 = +/- 0.015 0.000 = +/- 0.005		APPROVED		UNIT NAME Lip Seal Box (1-1/2")	
		SCALE	1/2	JOB NO.	313956
				ITEM NO.	