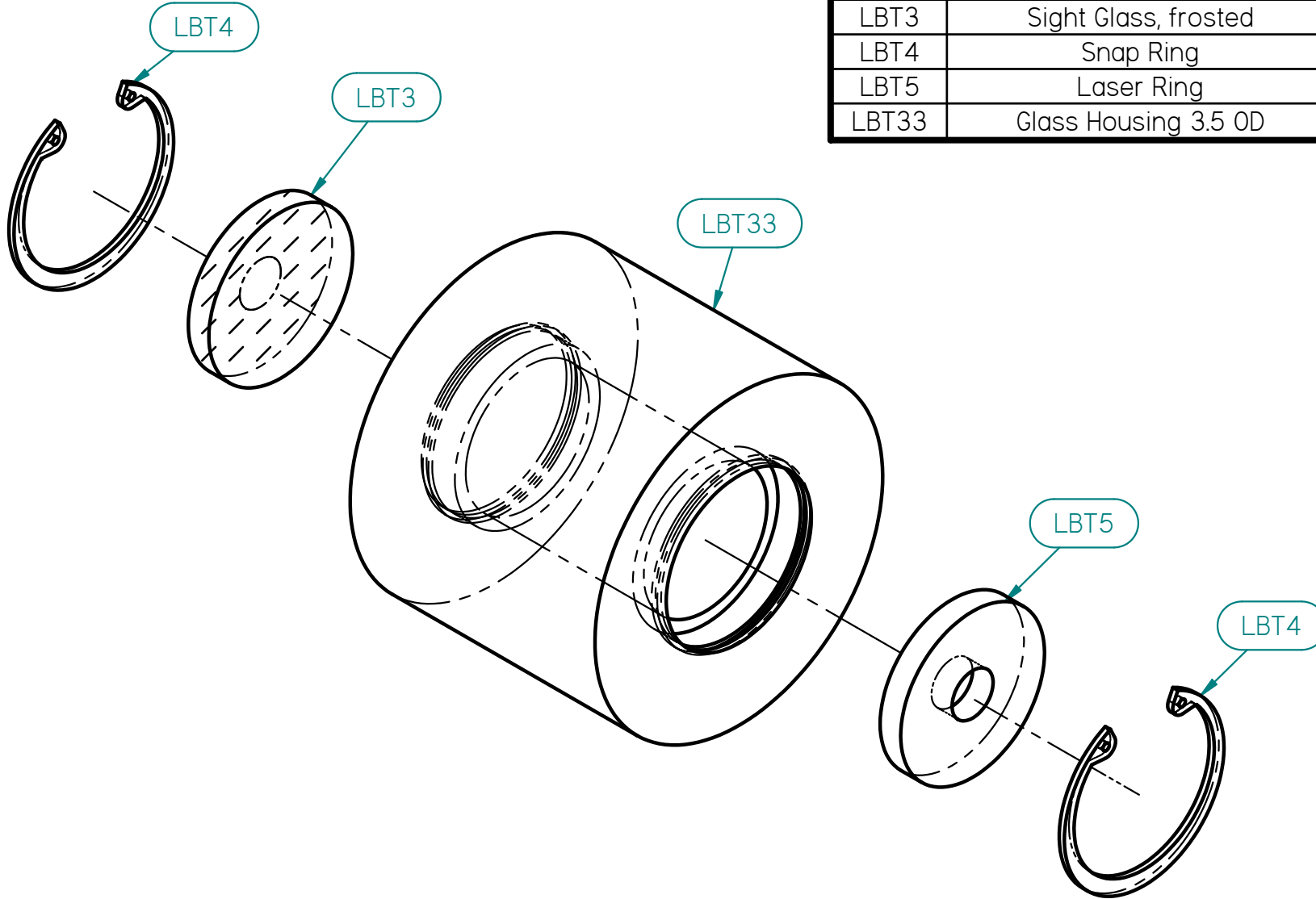


Sight Glass Assembly Deckstand Installation (3" Pipe)

Item	Description	Part No.	Qty.
LBT3	Sight Glass, frosted	I97YI35B	1
LBT4	Snap Ring	9I580A24I	2
LBT5	Laser Ring	I97YI37B	1
LBT33	Glass Housing 3.5 OD	062AA095B	1



**ELECTROMECHANICAL
RESEARCH LABORATORIES, Inc.**
P.O. BOX 1026
NEW ALBANY, IN 47151

DATE
1/27/16

DRAWN
D. URBAN

PART NAME
Sight Glass Assm. Deckstand Installation

TOLERANCE
0.0 = +/- 0.030
0.00 = +/- 0.015
0.000 = +/- 0.005

APPROVED

SCALE
3/4

JOB NO.
313956

UNIT NAME
Deckstand Installation 3" Pipe

DRAWING NO.
027AB160B

ITEM NO.
LBT34