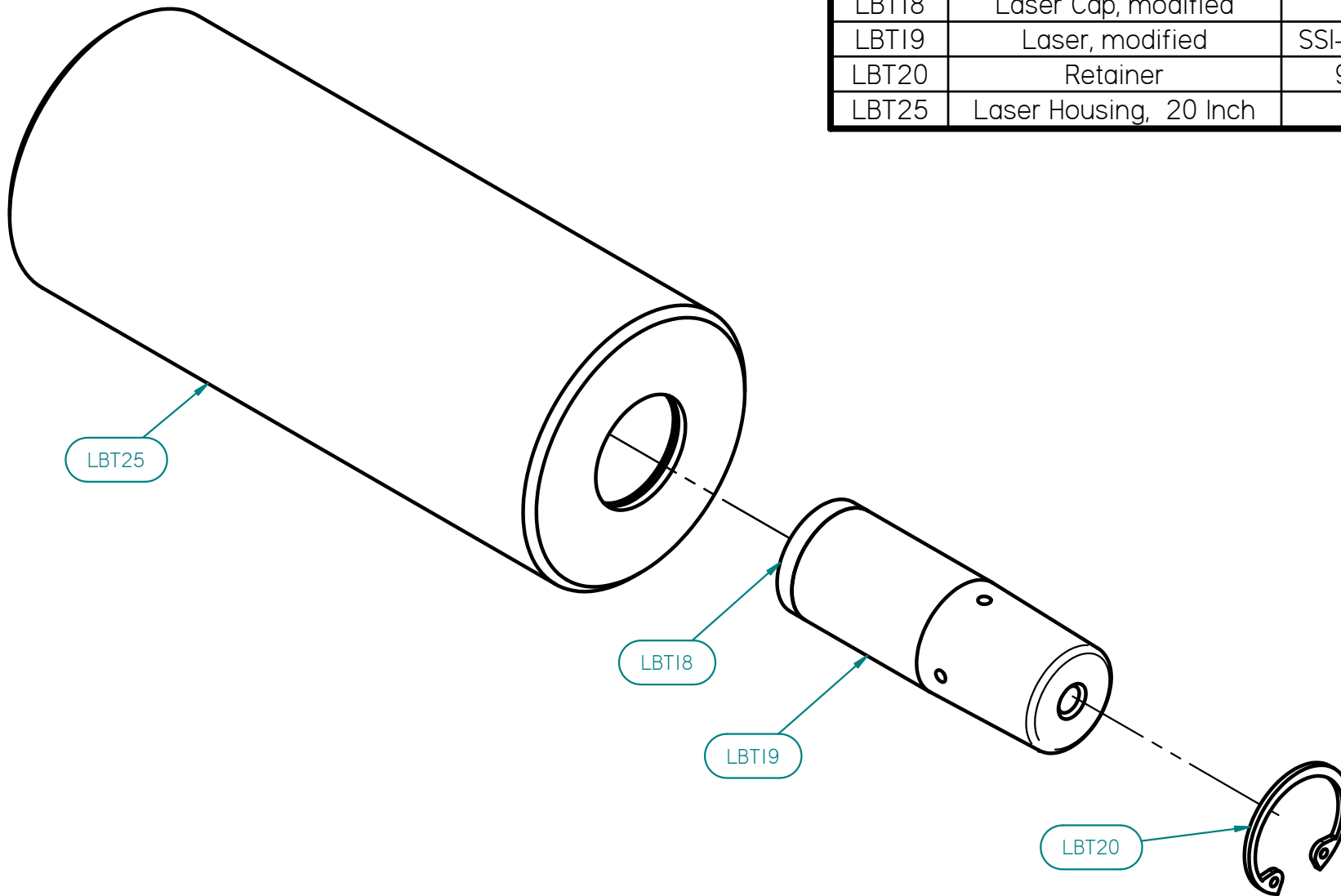


Laser Housing Assembly, 10 & 12 Inch			
Item	Part Name	Part No.	Qty.
LBT18	Laser Cap, modified	289YI57B	1
LBT19	Laser, modified	SSI-XSI-BL-12-GA	1
LBT20	Retainer	91580A185	1
LBT25	Laser Housing, 20 Inch	212Z095B	1



**ELECTROMECHANICAL
RESEARCH LABORATORIES, Inc.**
P.O. BOX 1026
NEW ALBANY, IN 47151

DATE
3/6/15

DRAWN
D. URBAN

PART NAME
Laser Housing Assembly, 20 Inch

TOLERANCE
0.0 = +/- 0.030
0.00 = +/- 0.015
0.000 = +/- 0.005

APPROVED

SCALE
1:1

JOB NO.
313956

UNIT NAME
Lip Seal Installation Tools

DRAWING NO.
065AA110B

ITEM NO.
LBT32