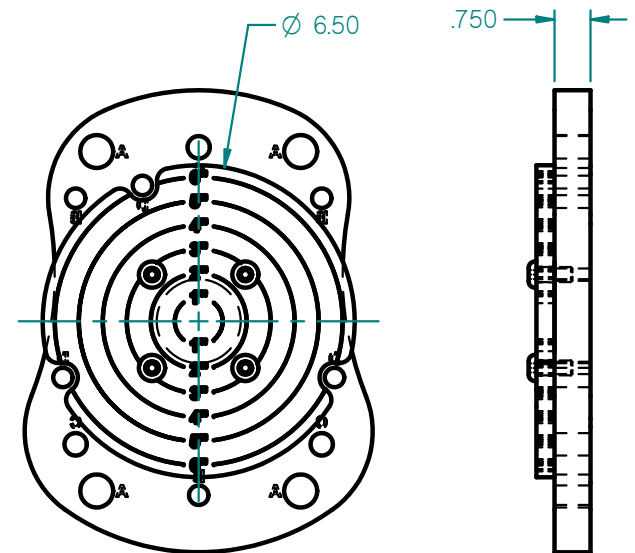
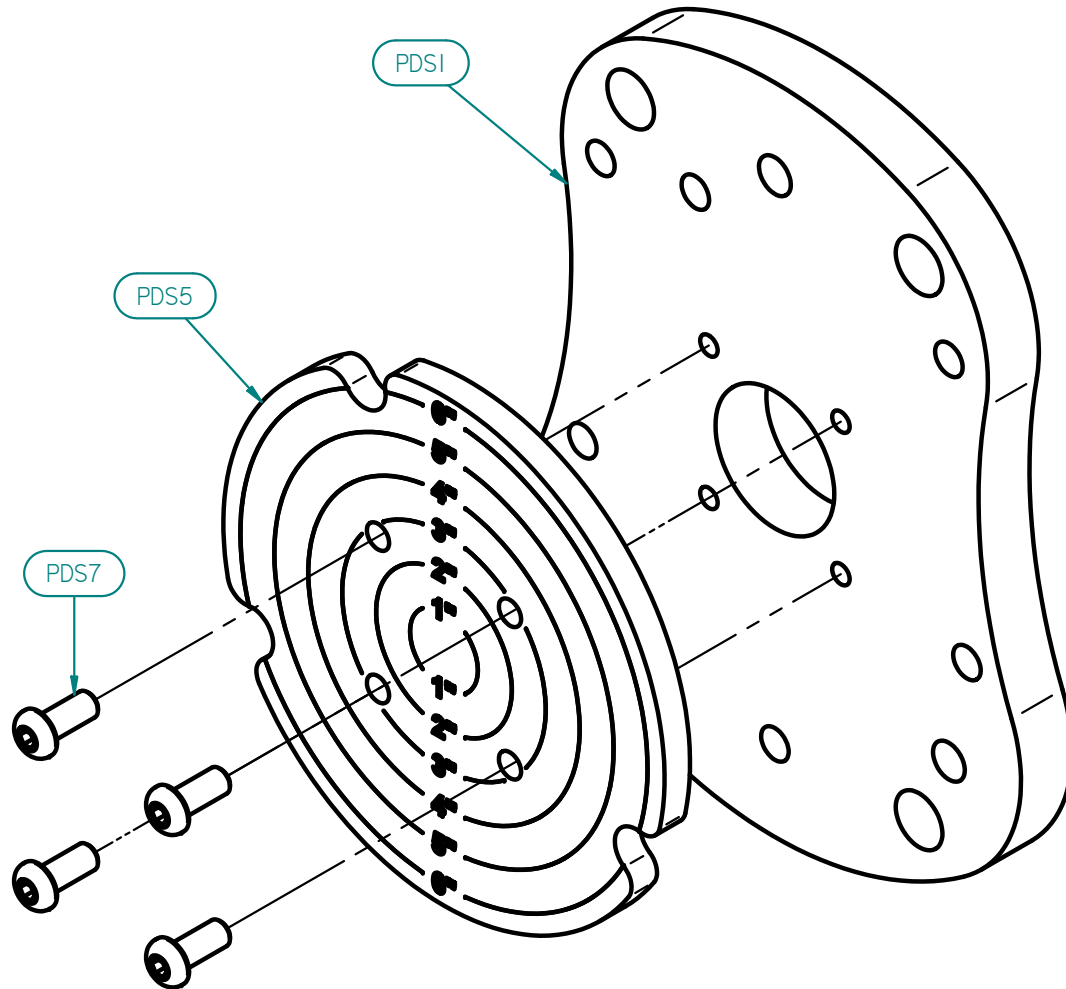


Target Assembly - Parts List

Item	Description	Part No.	Qty.
PDS1	Companion Flange	I75AAI60B	1
PDS5	Target	I95AA083B	1
PDS7	SHCS, 5/16 x 3/4		4



**ELECTROMECHANICAL
RESEARCH LABORATORIES, Inc.**
P.O. BOX 1026
NEW ALBANY, IN 47151

DATE
9/24/15

DRAWN
D. URBAN

PART NAME
Target Assembly

TOLERANCE
0.0 = +/- 0.030
0.00 = +/- 0.015
0.000 = +/- 0.005

APPROVED

SCALE
1/2

JOB NO.
n/a

UNIT NAME
Drive Shaft Alignment Tool

DRAWING NO.
196AA102B

ITEM NO.