

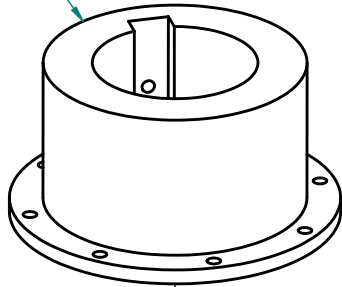
Companion Flange Assembly - Parts List

Item	Description	Part No.	Qty.
PDS1	Companion Flange, universal	175AA160B	1
PDS2	Flange, Laser	176AA086B	1
PDS3	Hex Bolt, 5/16 x 1-1/4		4
PDS4	Flange (SF or SLF)	various	1
PDS9	Hex Head Bolt	various	see chart
LBT7	Laser Pointer (Sight-Rite 12GA)	048AA105B	1
LBT8	Plug	50925K422	1

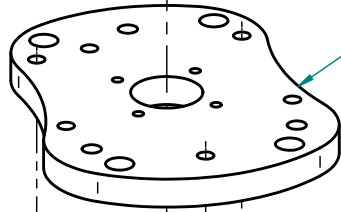
PDS4 Flange List

Item	Part No.	PDS9 Qty.
PDS4-A	1610-SF	3/8-24 x 3/4 (3)
PDS4-B	1710-SF	3/8-24 x 3/4 (3)
PDS4-C	1810-SF	7/16-20 x 3/4 (3)
PDS4-D	1880-SF	5/8-18 x 3/4 (4)
PDS4-E	1610-SLF	3/8-24 x 3/4 (3)
PDS4-F	1710-SLF	3/8-24 x 3/4 (3)
PDS4-G	1810-SLF	7/16-20 x 3/4 (3)
PDS4-H	1880-SLF	5/8-18 x 3/4 (4)

PDS4
see chart



PDS1



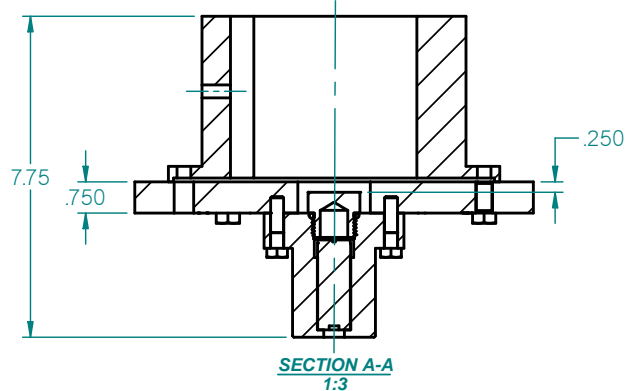
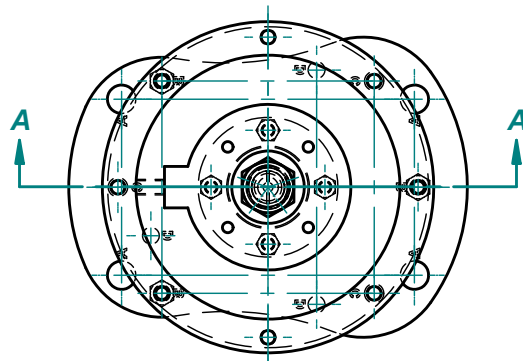
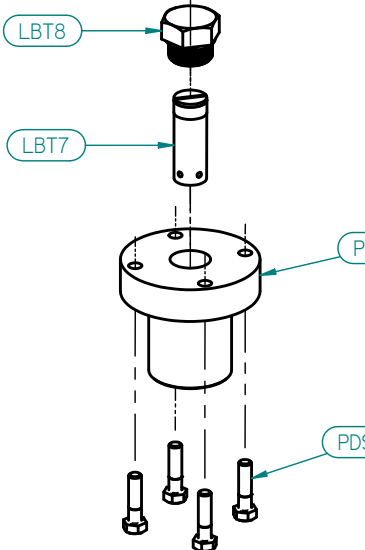
PDS9
see chart

LBT8

LBT7

PDS2

PDS3



**ELECTROMECHANICAL
RESEARCH LABORATORIES, Inc.**
P.O. BOX 1026
NEW ALBANY, IN 47151

DATE	9/24/15	DRAWN	D. URBAN	PART NAME Companion Flange Assembly	
TOLERANCE 0.0 = +/- 0.030 0.00 = +/- 0.015 0.000 = +/- 0.005	APPROVED	UNIT NAME Drive Shaft Alignment Tool		DRAWING NO.	ITEM NO.
	SCALE	1/3	JOB NO.	n/a	218AA170B