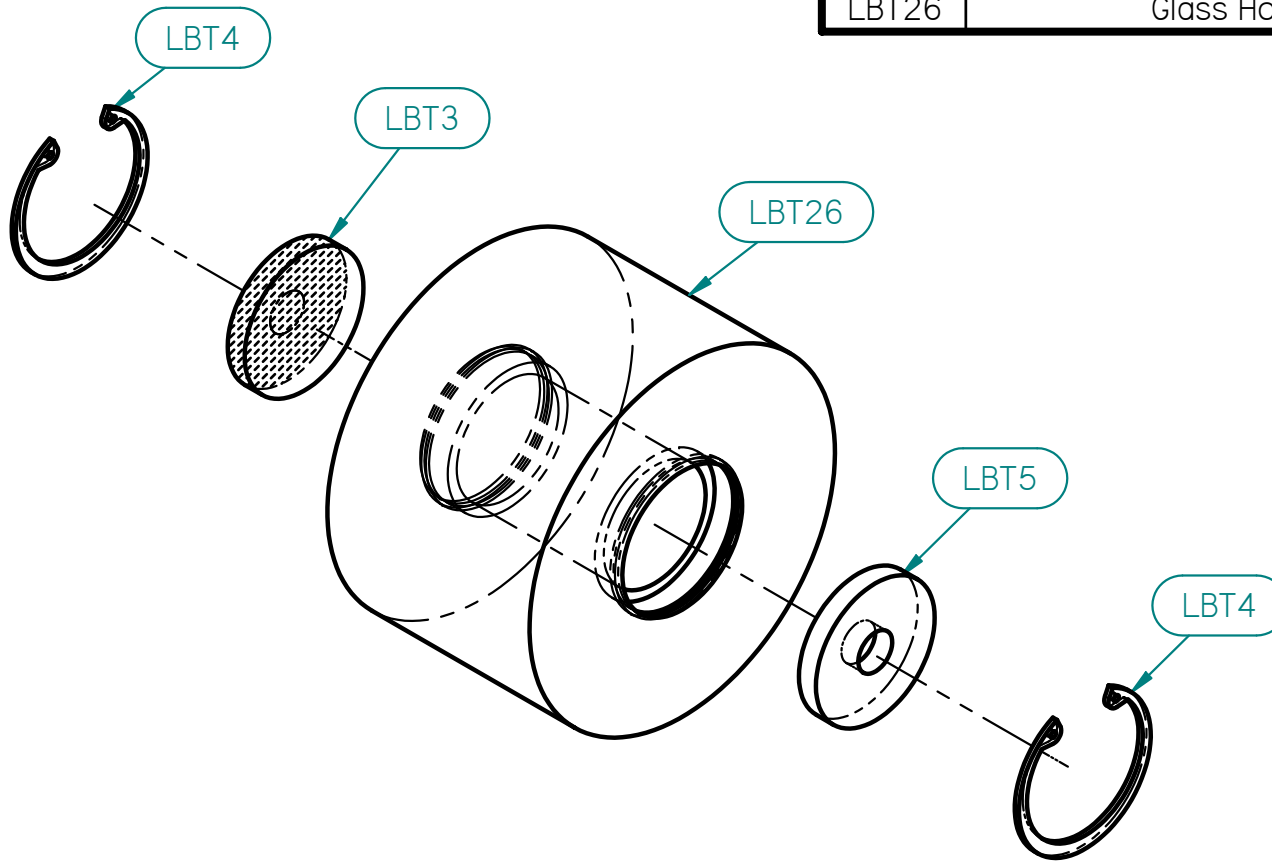


Parts List - Lip Seal Sight Glass Assembly, W&O

Item	Description	Part No.	Qty.
LBT3	Sight Glass, frosted	197YI35B	1
LBT4	Snap Ring	91580A24I	2
LBT5	Laser Ring	197YI37B	1
LBT26	Glass Housing	223Z090B	1



**ELECTROMECHANICAL
RESEARCH LABORATORIES, Inc.**
P.O. BOX 1026
NEW ALBANY, IN 47151

DATE
8/11/14

DRAWN
D. URBAN

PART NAME
Sight Glass Assembly Drawing

TOLERANCE
0.0 = +/- 0.030
0.00 = +/- 0.015
0.000 = +/- 0.005

APPROVED

UNIT NAME
Lip Seal Box Installation, W&O

SCALE
1/2

JOB NO.
313956

DRAWING NO.
223Z094B

ITEM NO.
LBT27