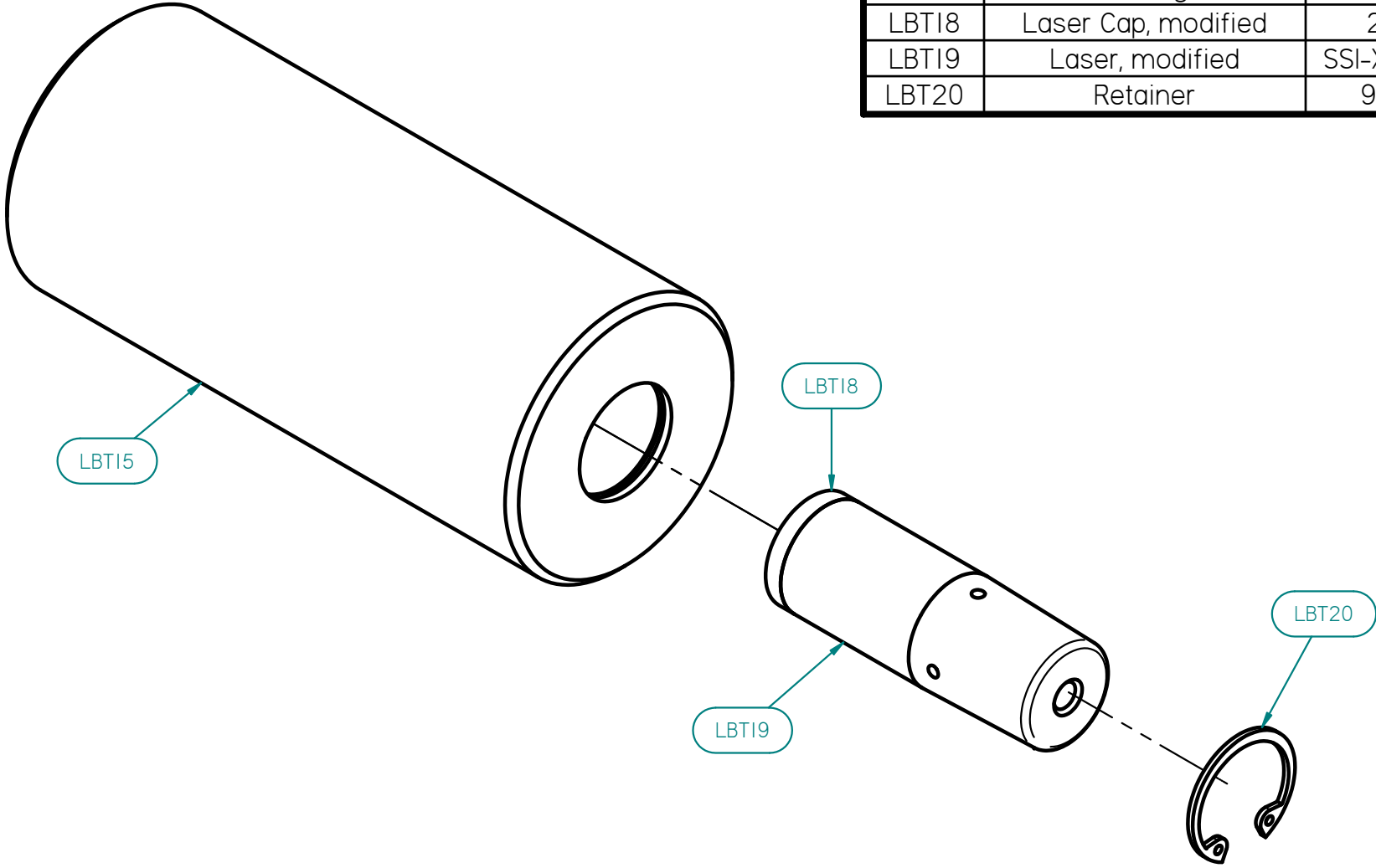


Laser Housing Assembly, 6 Inch			
Item	Part Name	Part No.	Qty.
LBT15	Laser Housing, 6 Inch	277Y086B	1
LBT18	Laser Cap, modified	289YI57B	1
LBT19	Laser, modified	SSI-XSI-BL-12-GA	1
LBT20	Retainer	91580A185	1



**ELECTROMECHANICAL
RESEARCH LABORATORIES, Inc.**
P.O. BOX 1026
NEW ALBANY, IN 47151

DATE
10/16/13

DRAWN
D. URBAN

PART NAME
Laser Housing Assembly, 6 Inch

TOLERANCE
0.0 = +/- 0.030
0.00 = +/- 0.015
0.000 = +/- 0.005

APPROVED

UNIT NAME
Lip Seal Installation Tools

SCALE
1:1

JOB NO.
313956

DRAWING NO.
289Y142B

ITEM NO.
LBT22