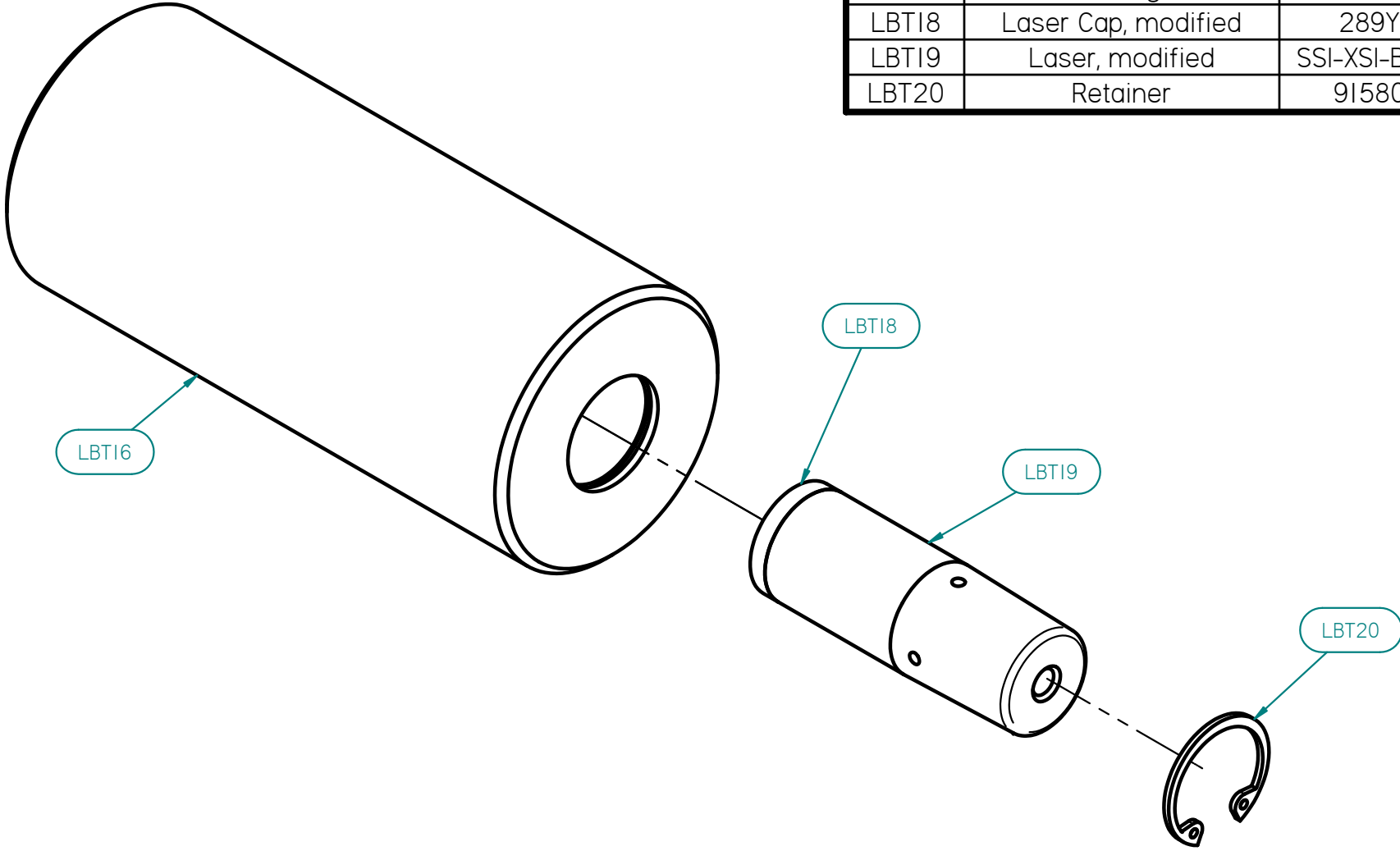


Laser Housing Assembly, 8 Inch			
Item	Part Name	Part No.	Qty.
LBT16	Laser Housing, 8 Inch	277Y092B	1
LBT18	Laser Cap, modified	289Y157B	1
LBT19	Laser, modified	SSI-XSI-BL-12-GA	1
LBT20	Retainer	91580A185	1



**ELECTROMECHANICAL
RESEARCH LABORATORIES, Inc.**
P.O. BOX 1026
NEW ALBANY, IN 47151

DATE 10/16/13		DRAWN D. URBAN		PART NAME Laser Housing Assembly, 8 Inch	
<u>TOLERANCE</u> 0.0 = +/- 0.030 0.00 = +/- 0.015 0.000 = +/- 0.005		APPROVED		UNIT NAME Lip Seal Installation Tools	
		SCALE 1:1	JOB NO. 313956	DRAWING NO. 289Y142B	ITEM NO. LBT23