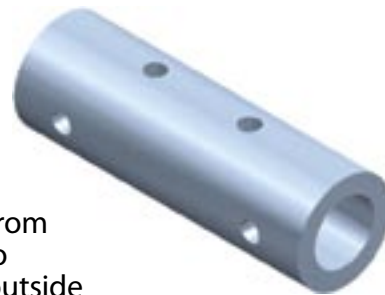
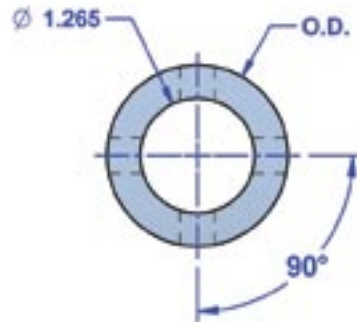
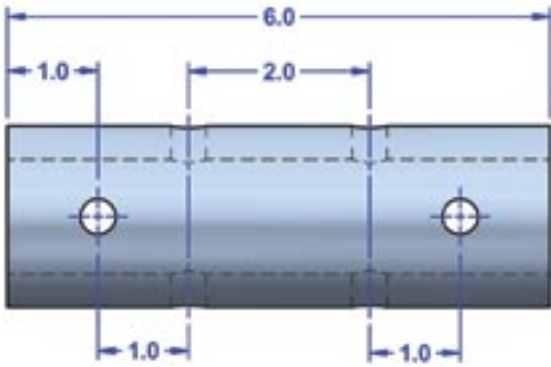
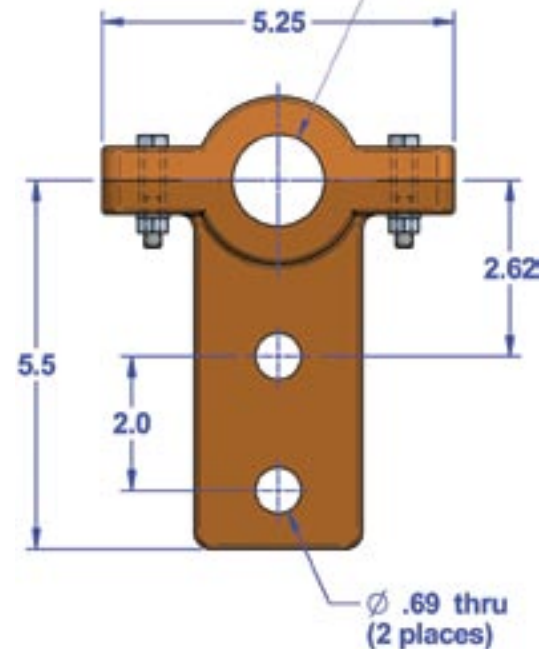


ROD-TO-ROD COUPLERS / SHAFT HANGERS



- ERL Rod-to-Rod Couplings are machined from solid stainless steel bar stock (series 300) to ensure a smooth fit with the Reach Rod's outside diameter. Standard Couplings are 6" long and are drilled in four places to accept .375" dia. Grade 8 bolts. The Reach Rod is matched drilled at assembly to the Coupling's bolt pattern. ERL can offer a solid style Coupling that can also be welded to the Reach Rod on either or both ends, if desired.
- ERL Cast Brass or Stainless Steel Shaft Hangers provide support to long reach rods. Simply specify reach rod diameter when ordering.

- Ø 0.780
- Ø 1.130
- Ø 1.380
- Ø 1.505
- Ø 1.780



ORDERING INFORMATION TABLE

Reach Rod Diameter	3/4"	1 "	1-1/4"	1-1/2"	1-5/8"
Coupling Part No.#	C-1	C-2	C-3	C-4	C-5
Hanger Part No.#	H-1	H-2	H-3	H-4	H-5