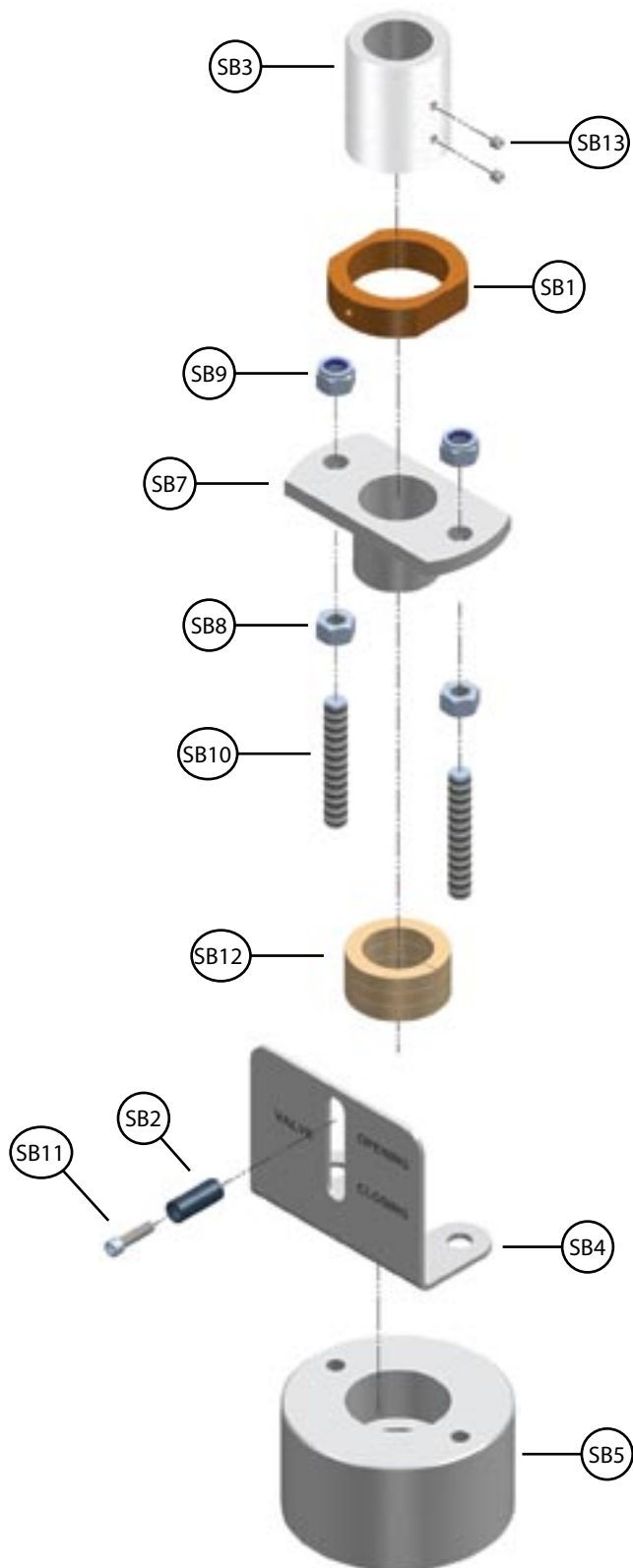


## SUPERSEAL™ STUFFING BOX/VALVE POSITION INDICATOR ASSEMBLY DRAWING



Item	Part Name	Qty.
SB1	Indicator Nut	1
SB2	Indicator Peg	1
SB3	Threaded Bushing	1
SB4	Indicator Plate (Short or Tall)	1
SB5	Stuffing Box	1
SB7	Gland	1
SB8	Hex Nut, stainless	2
SB9	Hex Nut, teflon coated	2
SB10	Stud	2
SB11	S.H.C.S.	1
SB12	Packing	
Stuffing box size:		3/4" 1" 1-1/4" 1-1/2" 1-5/8"
Thickness of packing:		5/16" 5/32" 5/16" 3/8" 5/16"
Number of Rings:		3 5 3 2 3
SB13	SETSCREWS	2

