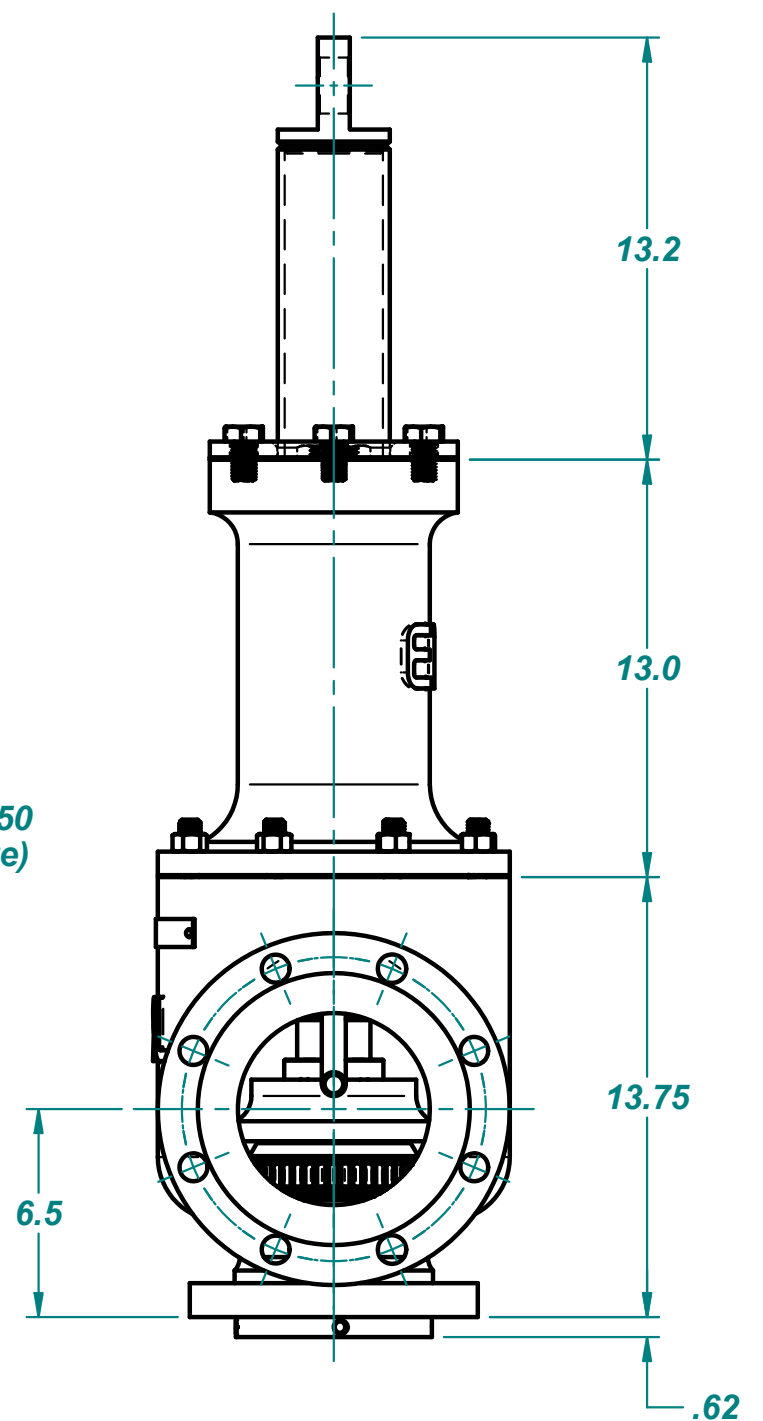
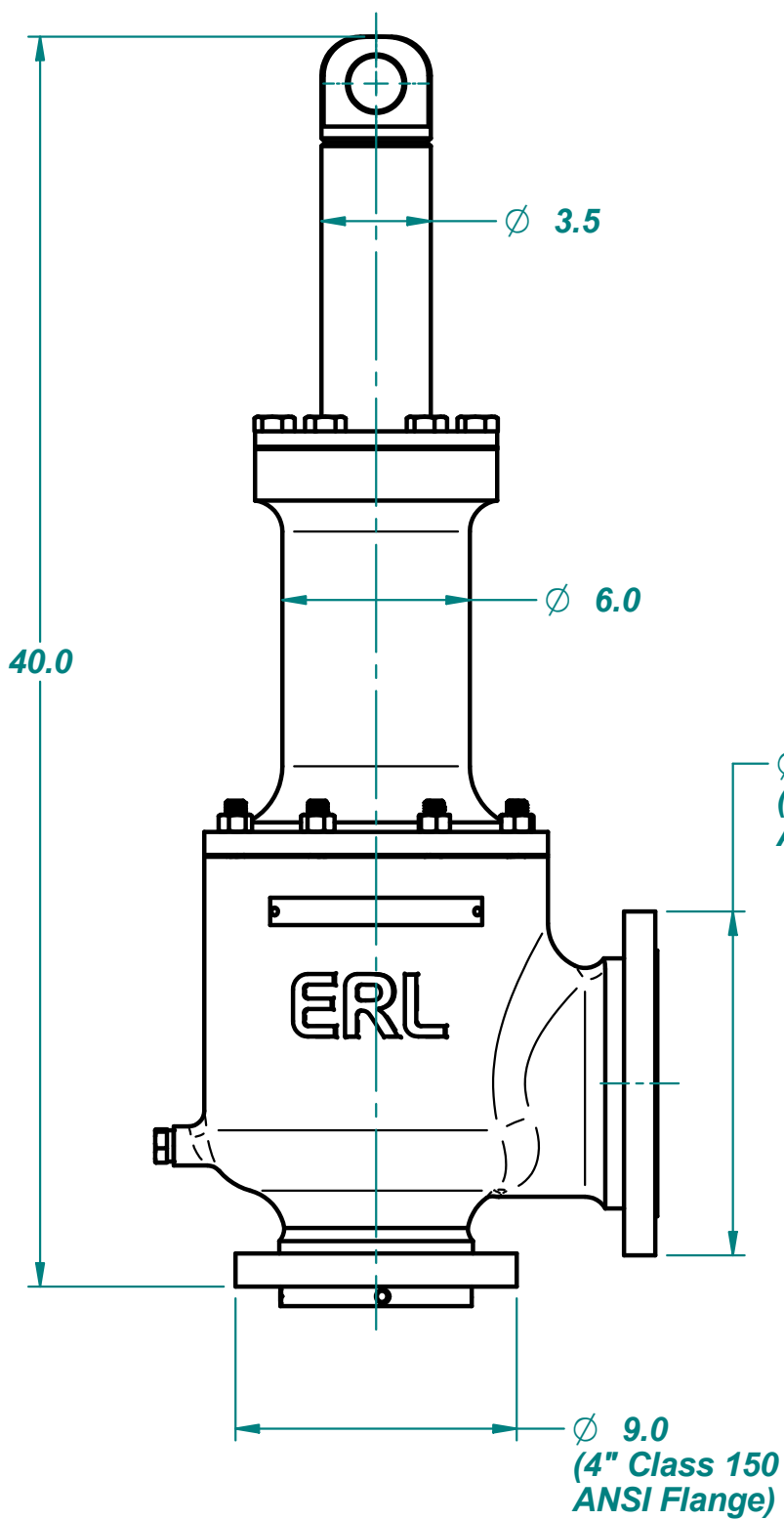
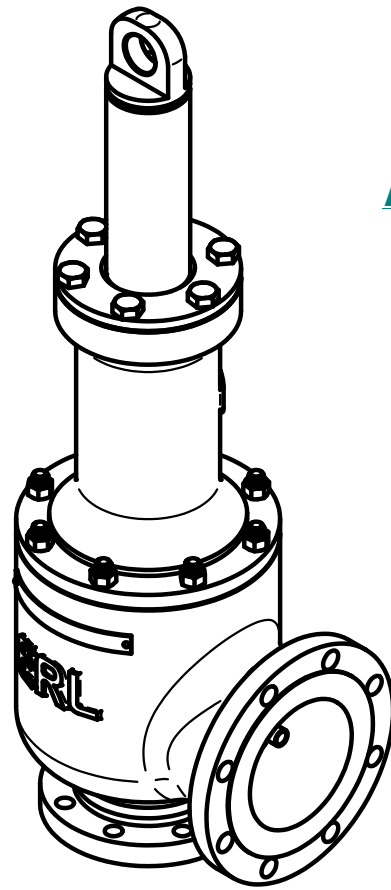


**Pressure
Relief Valve
(4 x 6
150 lb.)**



**ELECTROMECHANICAL
RESEARCH LABORATORIES, Inc.**
P.O. BOX 1026
NEW ALBANY, IN 47151

DATE	5/15/20	DRAWN	D. URBAN		PART NAME		Overall Dimensions
		APPROVED			UNIT NAME		Pressure Relief Valve (4 x 6 - 150 lb.)
		SCALE	JOB NO.	DRAWING NO.	ITEM NO.		
		nts	n/a	089AF100C-2	PRV-4X6-150		
TOLERANCE							
0.0 = +/- 0.030							
0.00 = +/- 0.015							
0.000 = +/- 0.005							