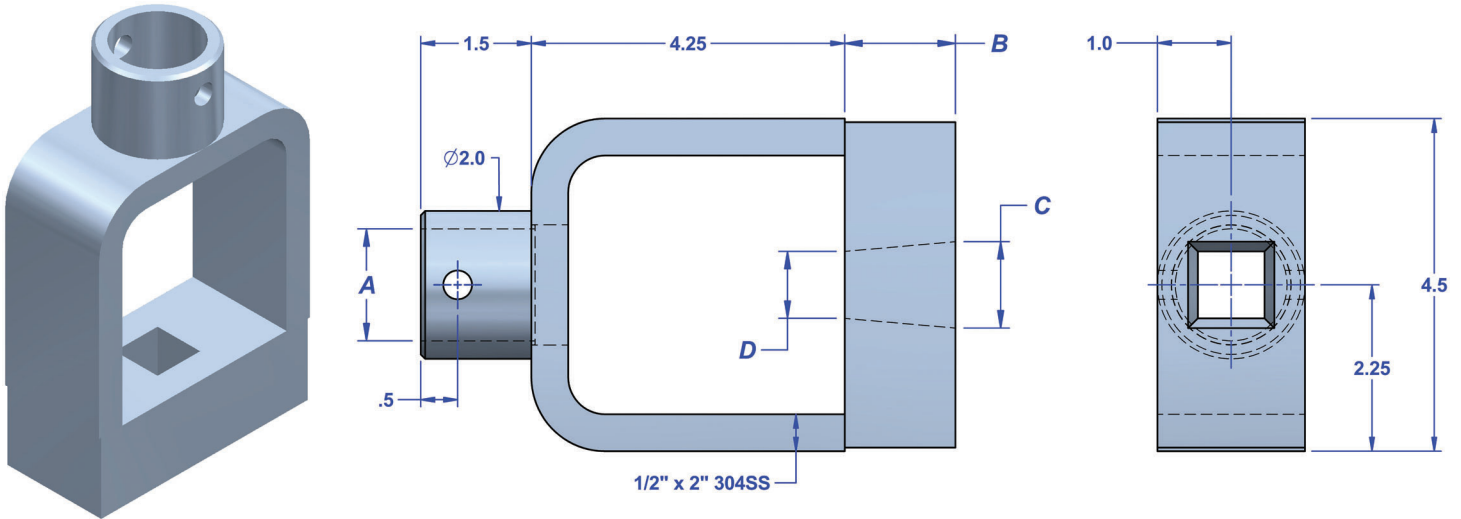


**YOKES  
TAPERED SQUARE**



ERL's heavy stainless steel rod-to-valve connection yoke is the easiest and most economical way to connect the lower end of the Reach Rod to the Cargo Control Valve. ERL machines, from the dimensions you supply, the lower end of the Yoke to match your Cargo Control Valve stem. The upper end of the Yoke is also machined and is designed to be either welded or bolted to the lower end of the Reach Rod.

**ERL Square TaperYokes are available in the following sizes to fit the lower end of standard ERL Reach Rods.**

<b>YOKE P/N</b>	<b>Dia. Reach Rod A</b>	<b>Taper Depth B</b>	<b>Bottom Square C</b>	<b>Top Square D</b>
YT-1	0.75"			
YT-2	1.0"			
YT-3	1.25"			
YT-4	1.50"			
YT-5	1.625"			

Specify the drawing call-out dimensions "B", "C" & "D" above for proper fit of the lower end of the Yoke to the Cargo Valve Stem.